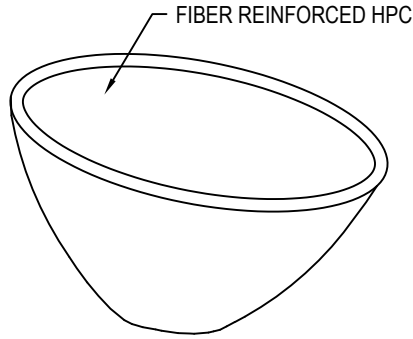




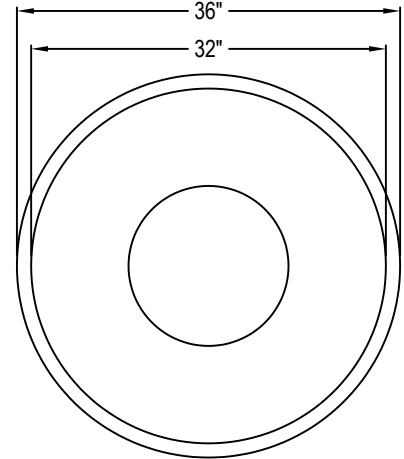
SLICK ROCK CONCRETE  
 13 PFEIFFER ROAD  
 BOERNE, TX 78006  
 PHONE: (830) 224-2080  
 www.slickrockconcrete.com

SELECT DESIRED COLOR:

- ADOBE
- COAL GREY
- COPPER
- DENIM
- GRAY
- GREAT WHITE
- MAHOGANY
- ONYX
- RUSTBUFF
- SEAFOAM
- SHALE
- UMBER



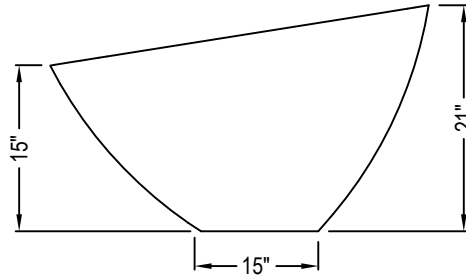
PERSPECTIVE



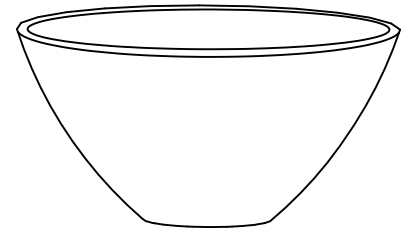
TOP VIEW

SELECT DESIRED ELASTOMERIC SEALING:

- WITH SEALING
- WITHOUT SEALING



SIDE ELEVATION



FRONT ELEVATION

**SPECIFICATIONS:**

**CONCRETE:** MANUFACTURERS PROPRIETARY BLEND OF PORTLAND CEMENT, SAND, FIBER REINFORCEMENT, ACRYLIC ADMIXTURES AND PLASTICIZING AGENTS.

**COLOR:** INTEGRAL THROUGH AND THROUGH COLOR FOLLOWED BY PROPRIETARY WATER BASED, SEMI TRANSPARENT STAIN.

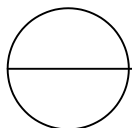
**FINISH:** SOLVENT TOPICALLY APPLIED "SEMI" GLOSS SEALER.

**ELASTOMERIC SEALER:** MAY BE APPLIED ON THE INTERIOR OF THE BASIN, PER REQUEST.

**FORMWORK:** FABRICATE FIBERGLASS MOLDS FOR CLOSE CONTROL OF SHAPE, DIMENSIONS AND DETAILS. COAT FORMWORK WITH FORM RELEASING AGENT.

**NOTES:**

1. INSTALLATION TO BE COMPLETED IN ACCORDANCE WITH MANUFACTURER'S SPECIFICATIONS.
2. DO NOT SCALE DRAWING.
3. THIS DRAWING IS INTENDED FOR USE BY ARCHITECTS, ENGINEERS, CONTRACTORS, CONSULTANTS AND DESIGN PROFESSIONALS FOR PLANNING PURPOSES ONLY. THIS DRAWING MAY NOT BE USED FOR CONSTRUCTION.
4. ALL INFORMATION CONTAINED HEREIN WAS CURRENT AT THE TIME OF DEVELOPMENT BUT MUST BE REVIEWED AND APPROVED BY THE PRODUCT MANUFACTURER TO BE CONSIDERED ACCURATE.
5. CONTRACTOR'S NOTE: FOR PRODUCT AND COMPANY INFORMATION VISIT [www.CADdetails.com/info](http://www.CADdetails.com/info) AND ENTER REFERENCE NUMBER 5388-021.



**CONCRETE PLANTERS**

BOUQUET PLANTERS: BOUQUET MEDIUM - 36" D X 21" H